

**TM-ZF500 31093020030 BOOM/4 SECT.**

PZ1000297-02 BOOM SYSTEM  
ASSEMBLY

www.AutoEPC.com



**TM-ZF500 31093020030 BOOM/4 SECT.**

Pos No.	Parts No	Parts Name	Qty	Unit	Technical Data	Ser
1	(***** )	BOOM	1			
2	(***** )	CYLINDER,TELESCOPING (MOUNT)	1			
	(***** )	CYLINDER,TELESCOPING (MOUNT)	1			054
3	(***** )	DETECTOR,OVER WINDING	1			
4	(***** )	PIPING,TELESCOPING	1			
	(***** )	PIPING,TELESCOPING	1			054
6	36093830000	HOOK (SHEAVE 2PC'S)	1			
7	37001803320	ROPE,WIRE (KISWIRE)	1			
8	(***** )	SOCKET,ROPE	1			
10	(***** )	PLATE,INDICATION (JAPANESE/ZF500)	1			
	(***** )	PLATE ASSY,NAME (BOOM,ENGLISH)	1			
	(***** )	PLATE,INDICATION (ENGLISH/ZF500)	1			
	(***** )	PLATE ASSY,NAME (FRENCH/ZF500)	1			
12	37001908920	DETECTOR,OVER WINDING (ROPE)	1			

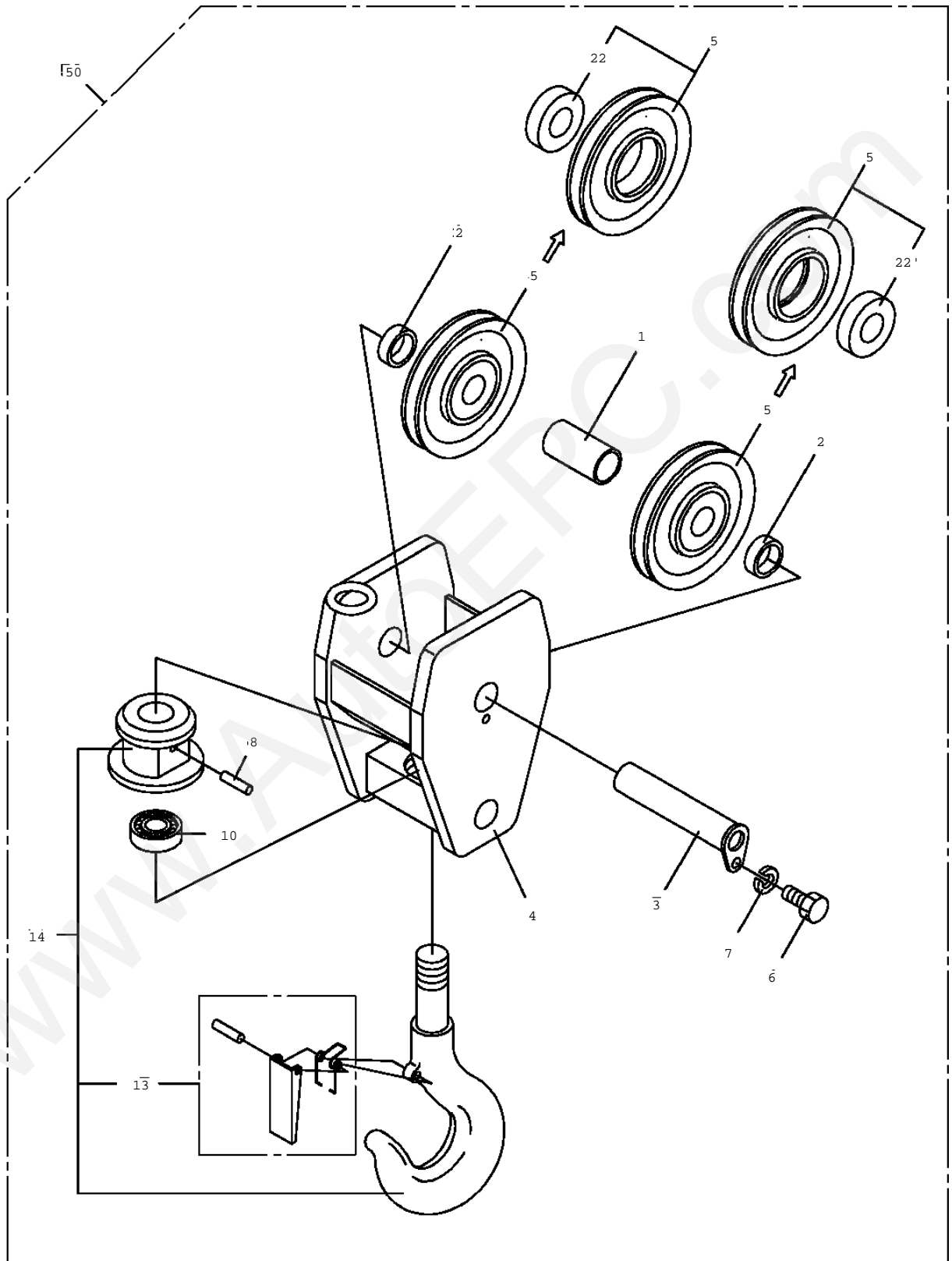
www.AutoEPC.com

**TM-ZF500 31093020030 BOOM/4 SECT.**

PF1050206-01 HOOK (SHEAVE 2PC'S)  
PF1070033-00 ROPE,WIRE (KISWIRE)  
PF1090022-01 SOCKET,ROPE  
PG1010446-04 BOOM  
PG1050235-01 CYLINDER,TELESCOPING (MOUNT)  
PG1050239-03 CYLINDER,TELESCOPING  
PG1050303-00 CYLINDER,TELESCOPING (MOUNT)  
PG1050307-04 CYLINDER,TELESCOPING  
PG1200105-00 PIPING,TELESCOPING  
PG1200132-00 PIPING,TELESCOPING  
PH1060213-01 DETECTOR,OVER WINDING (ROPE)  
PH1060231-01 DETECTOR,OVER WINDING  
PI1250080-00 VALVE,COUNTERBALANCE  
PI1250109-00 VALVE,COUNTERBALANCE  
PN1350004-01 REEL,CORD  
PO1011735-00 PLATE,INDICATION (JAPANESE/ZF500)  
PO1011775-01 PLATE,INDICATION (ENGLISH/ZF500)  
PO1012267-00 PLATE ASSY,NAME (FRENCH/ZF500)  
PO1012620-01 PLATE ASSY,NAME (BOOM,ENGLISH)  
PR5050007-00 REEL ASSY,CORD

www.AutoEPC.com

TM-ZF500 31093020030 BOOM/4 SECT.  
PF1050206-01 HOOK (SHEAVE 2PC'S)



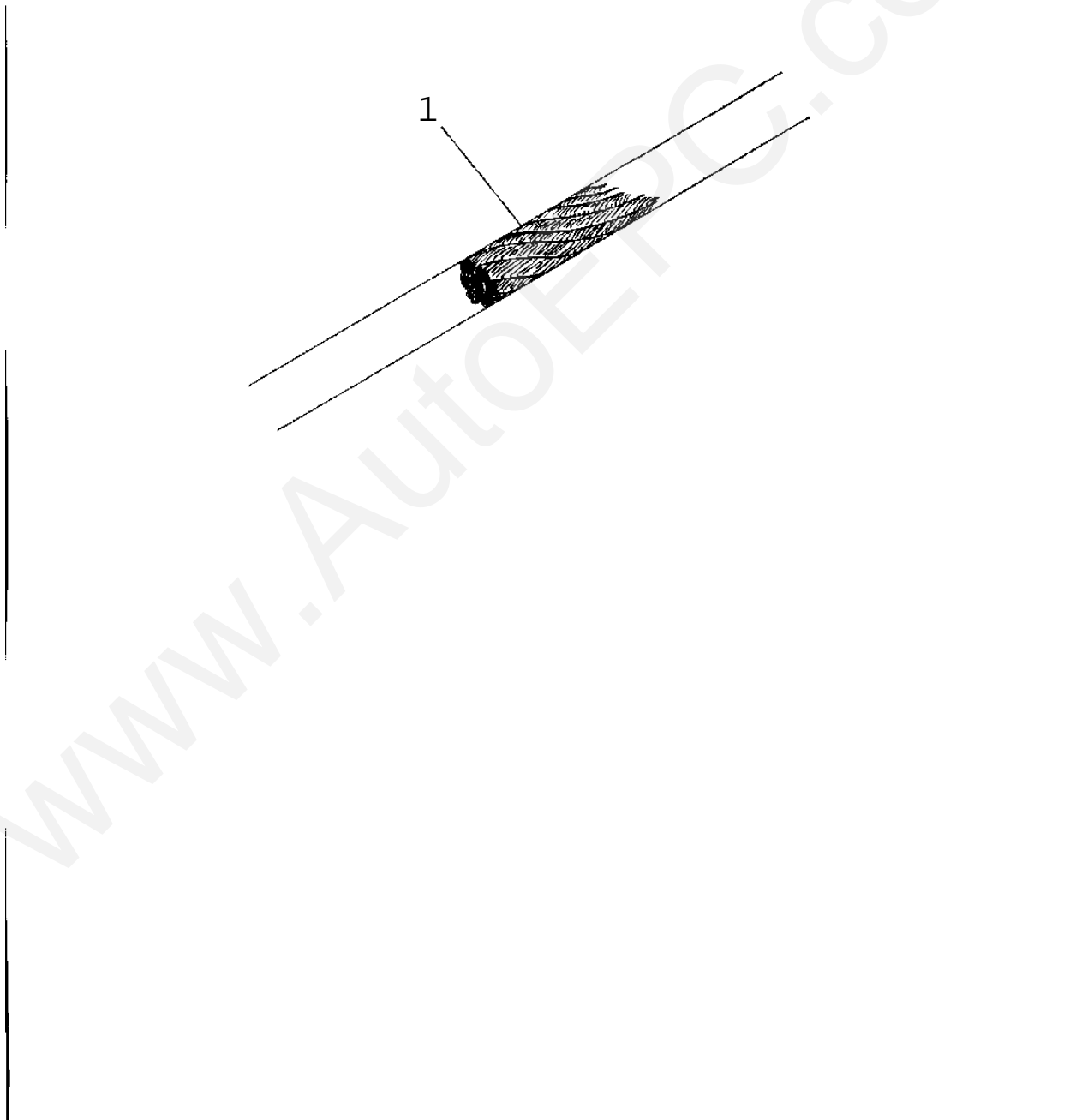
**TM-ZF500 31093020030 BOOM/4 SECT.**

Pos No.	Parts No	Parts Name	Qty	Unit	Technical Data	Serial No (Start)
1	37000301620	SPACER	1			
2	11421507000	SPACER	2			
	37000308850	SPACER	2		L=8.5	049316
3	37000134360	PIN	1			
4	36093831000	BODY	1			
5	37001004350	SHEAVE ASSY	2			
	37001007050	SHEAVE	2			049316
6	90101210016	BOLT	1		M10X16	
7	90302041001	WASHER, SPRING	1		10	
8	80720105050	PIN, SPRING	1		5X50	
	80720105056	PIN, SPRING	1		5X56	048774
10	80500051207	BEARING, BALL	1			
13	36090299510	STOPPER ASSY	1			
14	36093349510	HOOK ASSY	1			
50	36093830000	HOOK (SHEAVE 2PC'S)	1			

www.AutoEPC.com

TM-ZF500 31093020030 BOOM/4 SECT.  
PF1070033-00 ROPE,WIRE (KISWIRE)

REF: 1000



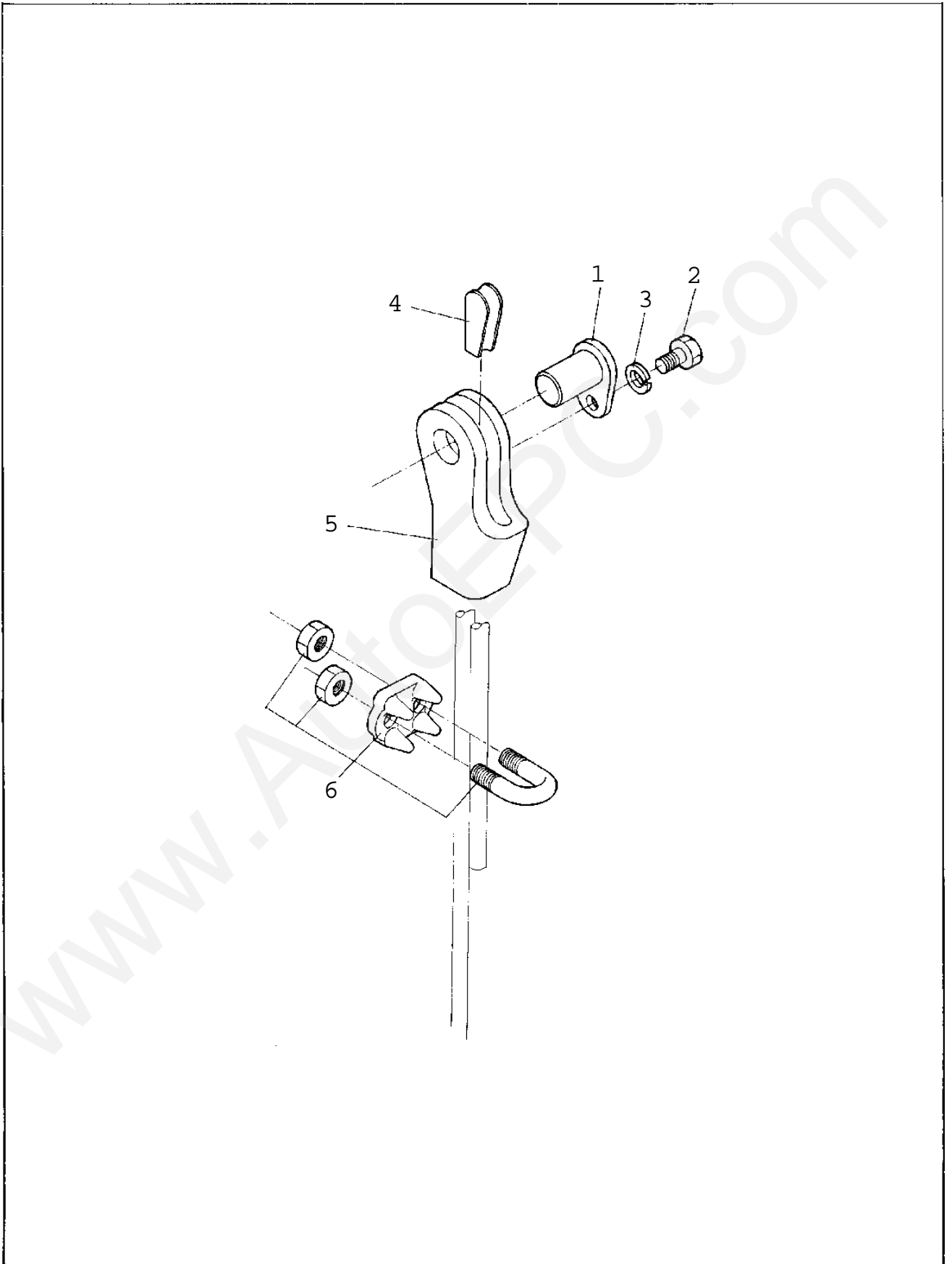
**TM-ZF500 31093020030 BOOM/4 SECT.**

Pos No.	Parts No	Parts Name	Qty	Unit	Technical Data	Serial No (Start)
1	37001803320	ROPE,WIRE (KISWIRE)	1			

www.AutoEPC.com



TM-ZF500 31093020030 BOOM/4 SECT.  
PF1090022-01 SOCKET,ROPE



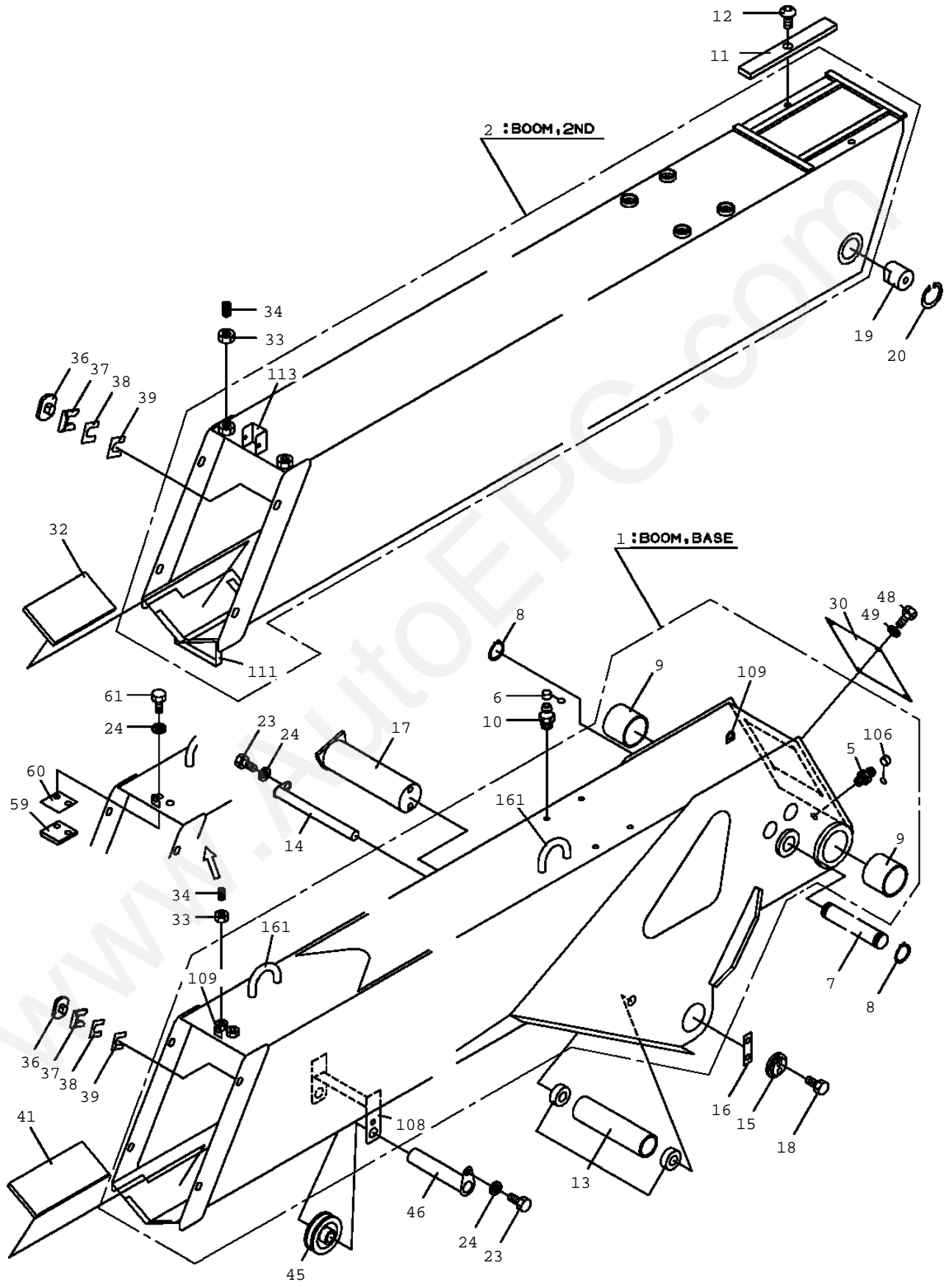
**TM-ZF500 31093020030 BOOM/4 SECT.**

Pos No.	Parts No	Parts Name	Qty	Unit	Technical Data	Serial No (Start)	Serial
1	37000105061	PIN	1				
2	90101208014	BOLT	1		M8X14		
3	90302040801	WASHER, SPRING	1		8		
4	37002600190	WEDGE	1		8		
5	37002600100	SOCKET, ROPE	1		8&9		
6	83151410802	CLIP	1				

www.AutoEPC.com



TM-ZF500 31093020030 BOOM/4 SECT.  
PG1010446-04 BOOM



**TM-ZF500 31093020030 BOOM/4 SECT.**

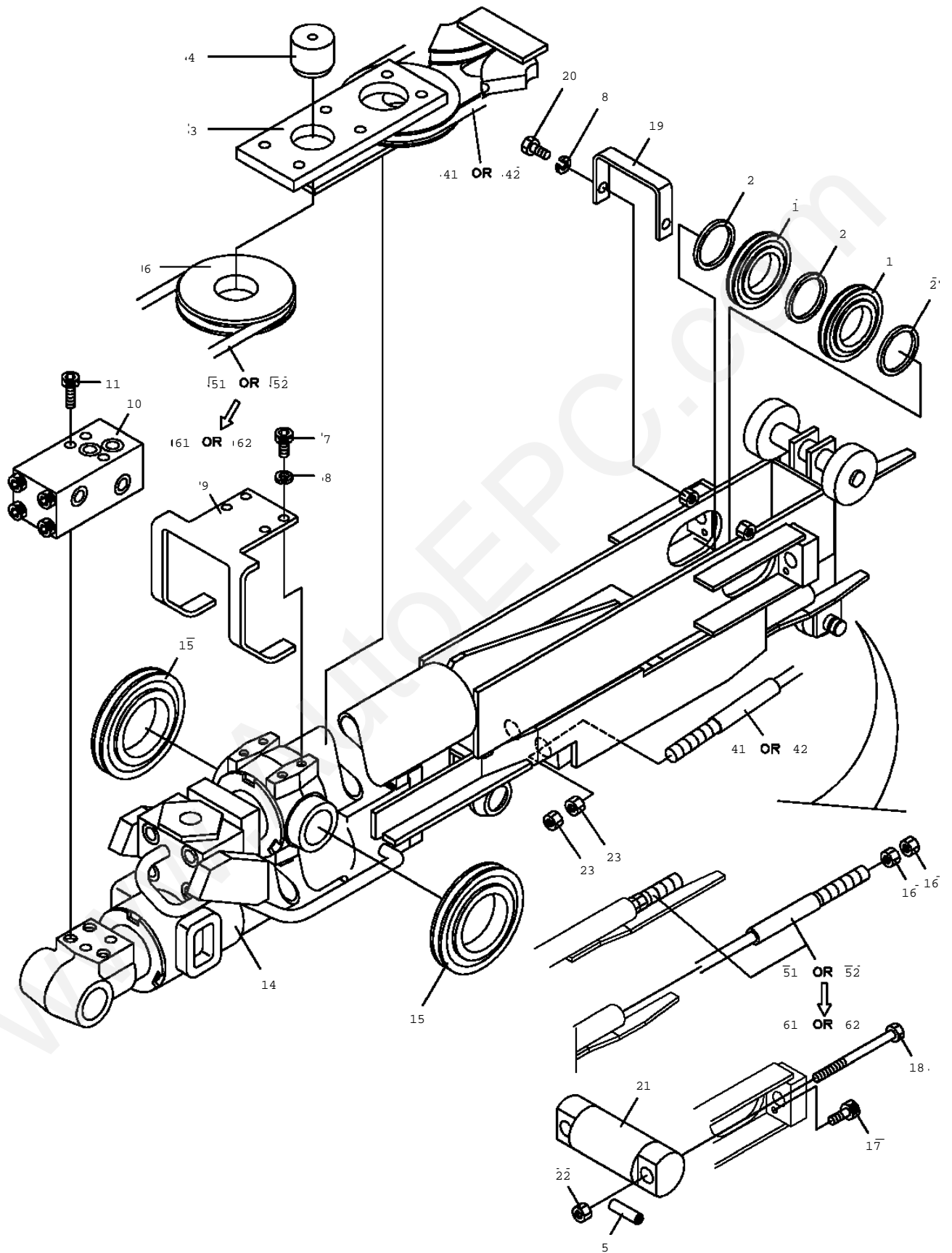
Pos No.	Parts No	Parts Name	Qty	Unit	Technical Data	Serial No (Start)
1	31201789510	BOOM, BASE	1			
	31201789511	BOOM, BASE	1			DA0603
2	31201782000	BOOM, 2ND	1			
3	31201783000	BOOM, 3RD	1			
4	31201784000	BOOM, TOP	1			
5	82456101000	NIPPLE, GREASE	1		A-PT1/8	
6	82400000459	CAP	4			
7	37000140420	PIN	1			
8	80601110300	RING, RITAINING	2		S30	
9	37000403110	BEARING, PLAIN	2			
10	82455106000	NIPPLE, GREASE	4		A-M6F FE	
11	37002008820	PLATE, SLIDE	2			
12	90180206010	BOLT, BUTTON	6		M6X10	
13	37001106940	ROLLER ASSY	1			
14	37000143390	PIN	1			
15	31230622500	COVER	1			
16	31630302000	PLATE	1		T=1.6	
17	37000203200	PIN	1			
18	90101210016	BOLT	2		M10X16	
19	37000140430	PIN	2			
20	80602110350	RING, RITAINING	4		R35	
21	90101512030	BOLT	2		M12X30	
22	90203201200	NUT	2		M12	
23	90101210012	BOLT	2		M10X12	
24	90302041001	WASHER, SPRING	4		10	
	90302041001	WASHER, SPRING	6		10	DA0603
25	37000109640	PIN	2			
26	37002007410	PLATE, SLIDE	4			
27	31201600400	SUPPORT	1			
28	90131910020	BOLT, HEXAGON SOCKET	2		M10X20	
29	90302401001	WASHER, SPRING	2		10	
30	31201580200	COVER	1			
31	90180208012	BOLT, BUTTON	6		M8X12	
	90180208016	BOLT, BUTTON	6		M8X16	053909
32	37002004670	PLATE, SLIDE	2			
33	90201201000	NUT	8		M10	
	90201201000	NUT	6		M10	DA0603
34	90710710350	SCREW, SET	6		M10X35	
	90710710350	SCREW, SET	4		M10X35	DA0603
35	31201500100	SPACER	1			
36	31201770100	PLATE, SLIDE	12		T=3.0	
37	31201580100	SHIM (FOR FIXED)	12			
38	31200713400	SHIM	6		T=0.6	
39	32200353500	SHIM	9		T=1.2	
40	37001107720	ROLLER ASSY	1			
41	37002004660	PLATE, SLIDE	2			
42	37000160580	PIN	1			
43	37000301570	SPACER	1			
44	37002004950	PLATE, SLIDE	2			
45	37001007020	SHEAVE	1			
	37001007770	SHEAVE	1			052407
46	37000109780	PIN	1			
47	37000538730	PLATE	2			
48	90101208012	BOLT	7		M8X12	
49	90302040801	WASHER, SPRING	18		8	
51	37001007050	SHEAVE	2			
52	37000303960	SPACER	1		L=13.5	
53	31200593200	PIN	1			
54	31200584000	COVER	1			
55	90191210020	BOLT	2		M10X20	
56	37002213970	PLATE, NAME (MARKING)	1			
57	37002213980	PLATE, NAME	1			
59	31202200500	PLATE	1			DA0603
60	31202200600	SHIM	1		T=1.0	DA0603
61	90101210014	BOLT	2		M10X14	DA0603
82	80516006902	BEARING, BALL	2			
	31205310210	BEARING, BALL (IP)	2			DE1549
91	31201780350	SUPPORT	1			
92	90303071201	WASHER, PLAIN	2		12	
93	37001107620	ROLLER	1			
94	37000104920	PIN	1			
	37000170840	PIN	1			054681
95	80136332020	PIN, SPLIT	2		3.2X20	
106	82400000459	CAP	1			

**TM-ZF500 31093020030 BOOM/4 SECT.**

Pos No.	Parts No	Parts Name	Qty	Unit	Technical Data	Serial No (Start)
108	31201578030	SUPPORT ASSY	1			
109	31200791030	PLATE	2			
111	31201572230	GUIDE	1			
113	31201572210	SUPPORT	1			
121	31201588050	SUPPORT ASSY	1			
126	31201713180	SUPPORT	1			
143	31201584250	SUPPORT	1			
145	31201584200	SUPPORT	1			
151	31201600450	SUPPORT	1			
152	37001101900	ROLLER	1			
153	80601110120	RING,RITAINING	2		S12	
154	37000134160	PIN	1			
161	31201571100	SUPPORT	2			

www.AutoEPC.com

TM-ZF500 31093020030 BOOM/4 SECT.  
PG1050235-01 CYLINDER, TELESCOPING (MOUNT)



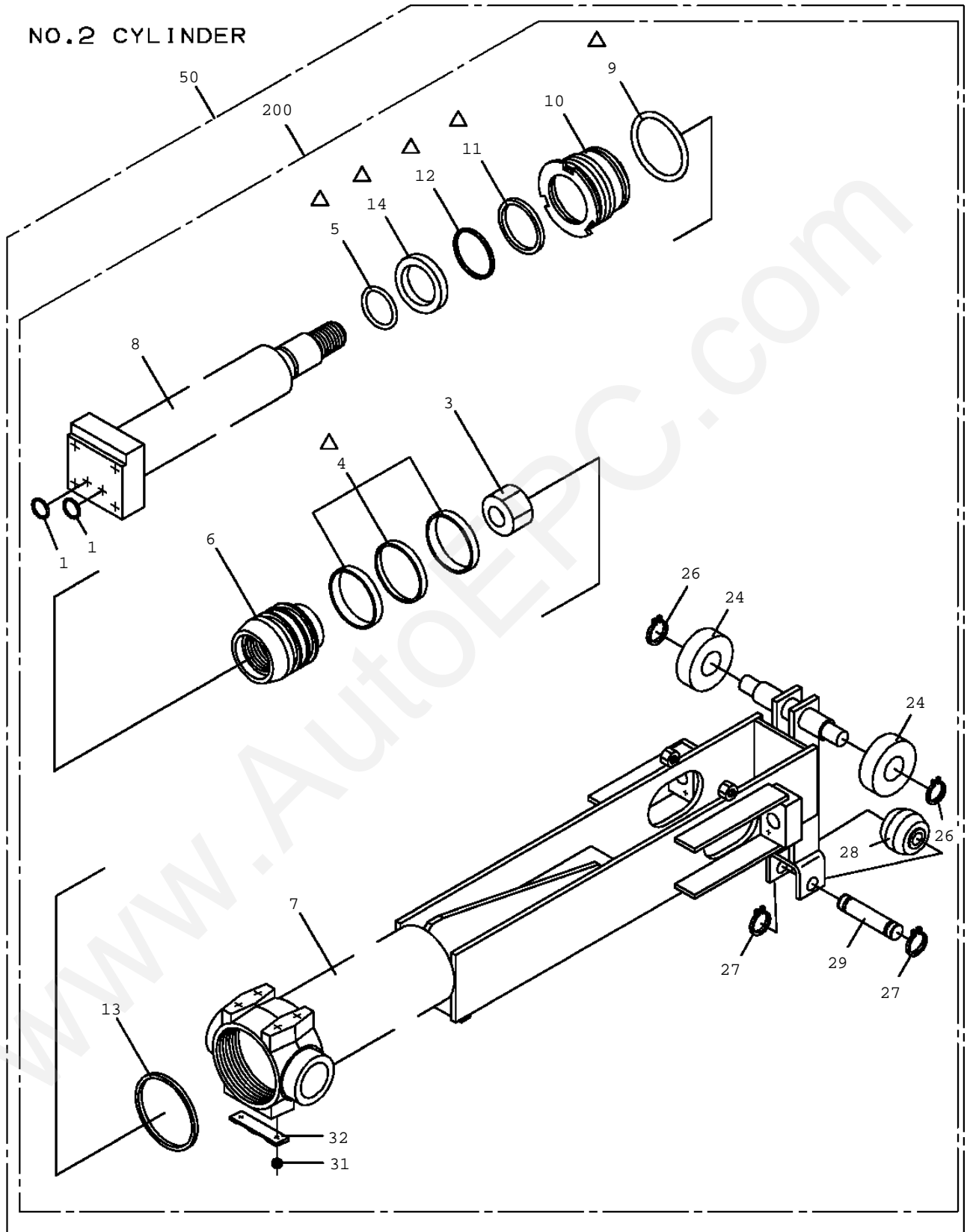
**TM-ZF500 31093020030 BOOM/4 SECT.**

Pos No.	Parts No	Parts Name	Qty	Unit	Technical Data	Serial No (Start)
1	37001005310	SHEAVE ASSY	2			
2	31200851100	SPACER	3			
3	31211091000	SUPPORT	1			
4	37000165770	PIN	1			
5	80720102020	PIN, SPRING	2			
6	31210970200	SUPPORT	1			
7	90131508014	BOLT, HEXAGON SOCKET	4		M8X14	
8	90302040801	WASHER, SPRING	6		8	
9	31210170010	SUPPORT	1			
10	36604280000	VALVE, COUNTERBALANCE	1			
11	90131708060	BOLT, HEXAGON SOCKET	3		M8X60	
14	36014660000	CYLINDER, TELESCOPING	1			
15	37001004450	SHEAVE ASSY	2			
16	90202201200	NUT	4		M12	
17	90172106010	BOLT, HEXAGON SOCKET	2		M6X10	
18	37001506620	BOLT	2			
19	31211090200	SUPPORT	1			
20	90101208012	BOLT	2		M8X12	
21	37000203210	PIN	1			
22	90253401400	NUT	2			
23	90202201600	NUT	4		M16	
41	37001912350	ROPE, WIRE (TESAC)	1			
42	37001910640	ROPE, WIRE (KOKOKU)	1			052283
51	37001912290	ROPE, WIRE (TESAC)	1			
52	37001910580	ROPE, WIRE (KOKOKU)	1			052533
61	37001912260	ROPE, WIRE (TESAC)	1			052784
62	37001910550	ROPE, WIRE (KOKOKU)	1			052923





TM-ZF500 31093020030 BOOM/4 SECT.  
PG1050239-03 CYLINDER,TELESCOPING

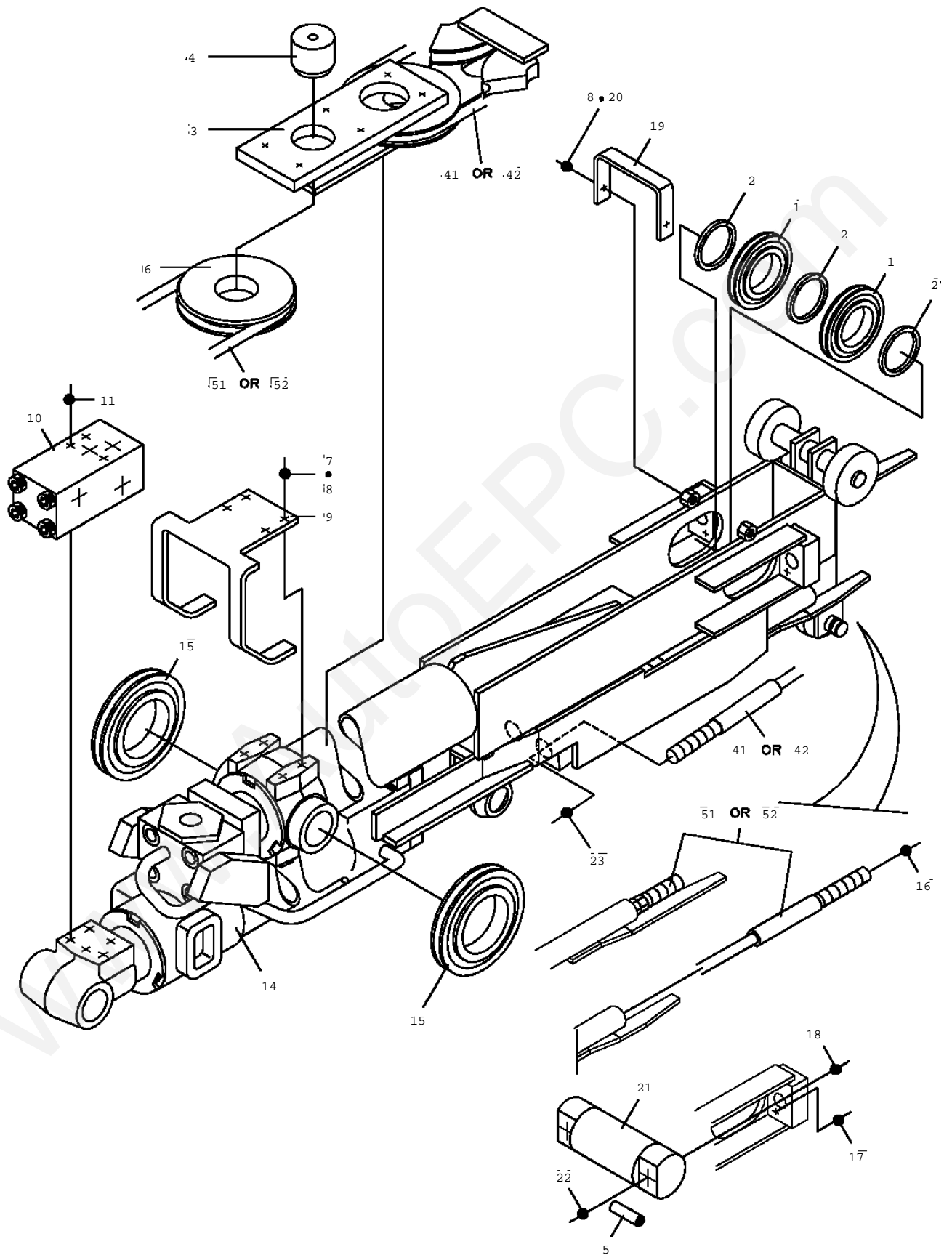


△:PACKING SET KEY NO.250 (KEY NO.4,5,9,11,12,14)

**TM-ZF500 31093020030 BOOM/4 SECT.**

Pos No.	Parts No	Parts Name	Qty	Unit	Technical Data	Serial N
1	91001101400	O-RING	4		1A P14	
2	90131712065	BOLT,HEXAGON SOCKET	4		M12X65	
3	90209202700	NUT	1		M27X2	
4	91350207000	BEARING,PLAIN (WITH PACKINGX2)	2			
5	91002903000	O-RING	1		1B G30	
6	36012740201	PISTON	1			
7	36014661000	CYLINDER (NO.2)	1			
8	36014662000	ROD	1			
9	91002906500	O-RING	2		1B G65	
10	36014663000	COVER,ROD	1			
11	91694005000	PACKING	2			
12	91410205001	RING,BACKUP	2			
13	36010465000	PLATE	2			
14	91660005001	SEAL,DUST	2			
15	91002803800	O-RING	2		1B P38	
16	36012150700	VALVE,CHECK	1			
17	36622730000	VALVE,CHECK	1			
18	36010060340	STOPPER	2			
19	37000402120	BEARING,PLAIN (WITH PACKINGX2)	1			
20	36014664000	PISTON	1			
21	36010260500	PIPE	1			
22	36014665000	CYLINDER	1			
23	36014666000	ROD	1			
24	80530000225	BEARING,BALL (KOYO)	2			
25	37002008830	PLATE,SLIDE	1			
26	80601110150	RING,RITAINING	4		15	
27	80601110120	RING,RITAINING	2		S12	
28	37001104660	ROLLER	1			
29	37000134680	PIN	1			
30	37001103490	ROLLER ASSY	2			
31	80175304008	SCREW,MACHINE	2		M4X8	
32	37002001810	PLATE,SLIDE	1			
33	80171304012	SCREW,MACHINE	2		M4X12	
34	91301105000	BEARING,PLAIN	1			
35	36014663500	COVER,ROD	1			
50	36014660000	CYLINDER,TELESCOPING	1			
75	91002802201	O-RING	1		1B P22A	
76	91002801600	O-RING	1		1B P16	
77	91001100700	O-RING	1		1A P7	
78	91411000700	RING,BACKUP	2		P7	
82	37001201560	SPRING	1			
84	36622730200	ROD	1			
85	91001100600	O-RING	1		1A P6	
86	91411000600	RING,BACKUP	1		P6	
87	36622730400	CAP	1			
89	91001202500	O-RING	1		1A G25	
90	91002801500	O-RING	1		1B P15	
91	90131708025	BOLT,HEXAGON SOCKET	4		M8X25	
92	80316090020	PLUG	1		KKT PT1/8	
93	36622730500	SPACER	1		L=5	
100	36014669510	CYLINDER,TELESCOPING (NO.1)	1			
150	36014669900	PACKING SET	1		50X70	
200	36014669520	CYLINDER,TELESCOPING (NO.2)	1			
250	36014669910	PACKING SET	1			

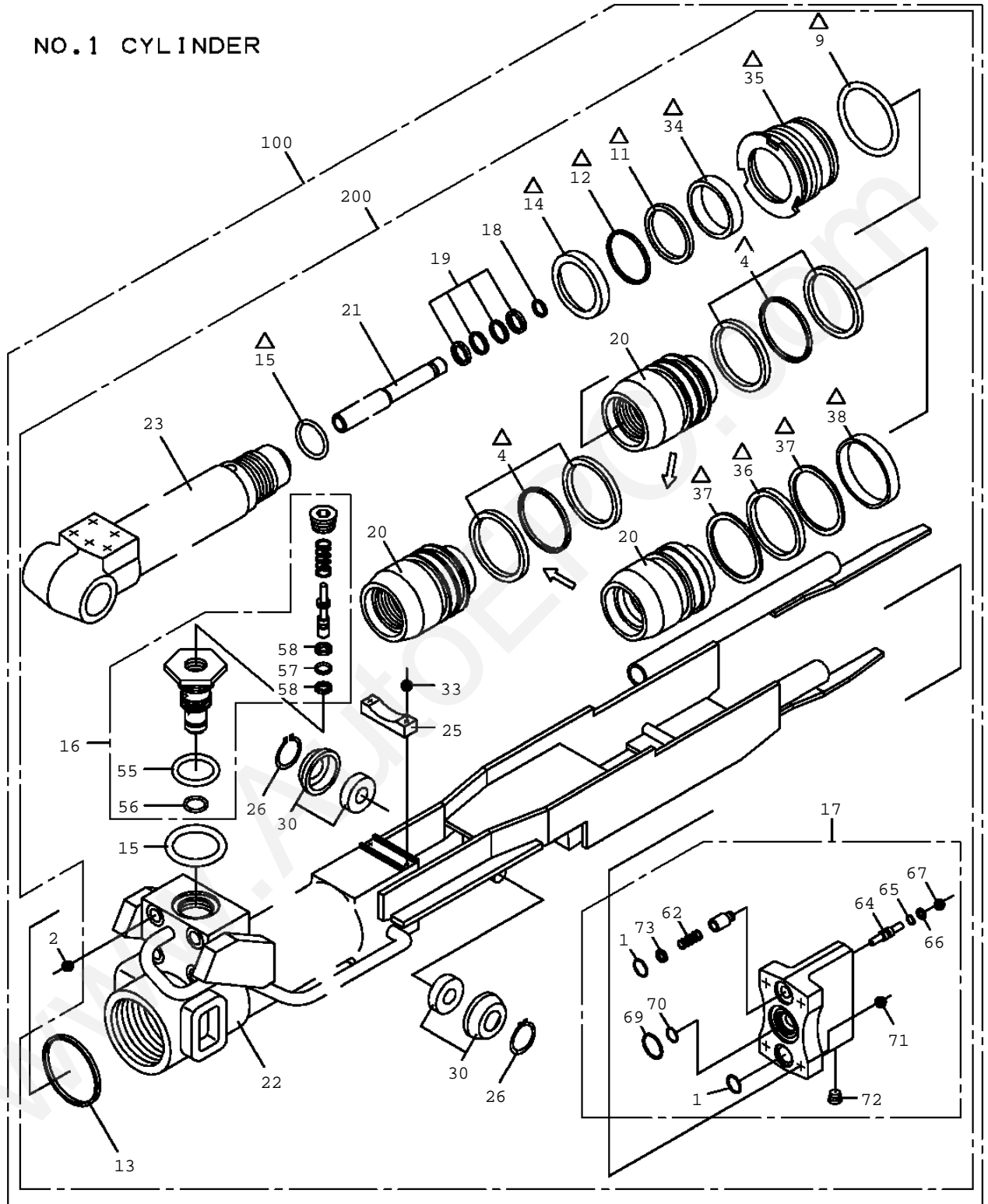
TM-ZF500 31093020030 BOOM/4 SECT.  
PG1050303-00 CYLINDER, TELESCOPING (MOUNT)



**TM-ZF500 31093020030 BOOM/4 SECT.**

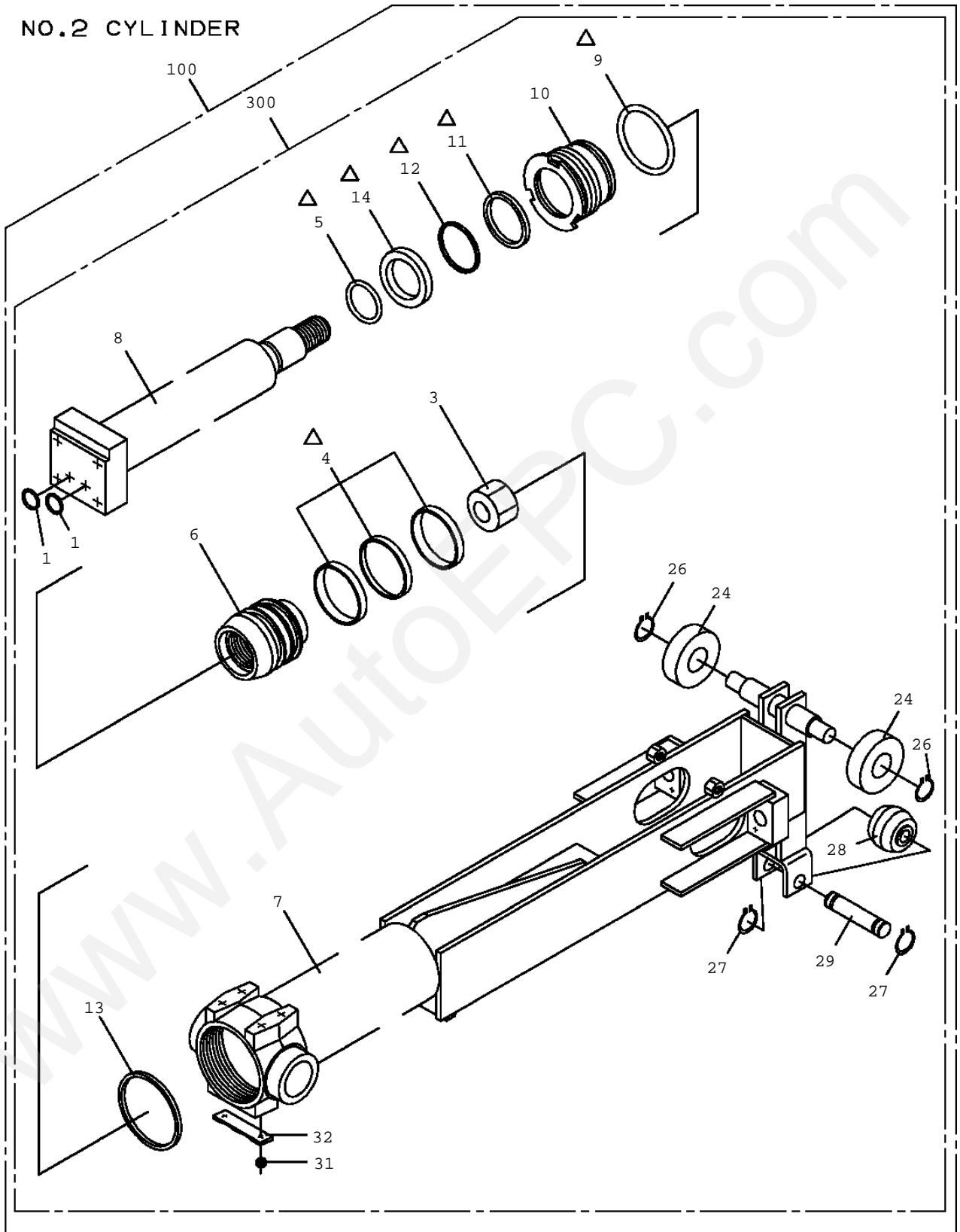
Pos No.	Parts No	Parts Name	Qty	Unit	Technical Data	Serial No (Start)
1	37001005310	SHEAVE ASSY	2			
2	31200851100	SPACER	3			
3	31211091000	SUPPORT	1			
4	37000165770	PIN	1			
5	80720102020	PIN, SPRING	2			
6	31210970200	SUPPORT	1			
7	90131508014	BOLT, HEXAGON SOCKET	4		M8X14	
8	90302040801	WASHER, SPRING	6		8	
9	31210170010	SUPPORT	1			
10	36604940000	VALVE, COUNTERBALANCE	1			
11	90131708060	BOLT, HEXAGON SOCKET	3		M8X60	
14	36014660001	CYLINDER, TELESCOPING	1			
15	37001004450	SHEAVE ASSY	2			
16	90202201200	NUT	4		M12	
17	90172106016	BOLT, HEXAGON SOCKET	2		M6X16	
18	37001506620	BOLT	2			
19	31211090200	SUPPORT	1			
20	90101208012	BOLT	2		M8X12	
21	37000203210	PIN	1			
22	90253401400	NUT	2			
23	90202201600	NUT	4		M16	
41	37001912350	ROPE, WIRE (TESAC)	1			
42	37001910640	ROPE, WIRE (KOKOKU)	1			052283
51	37001912260	ROPE, WIRE (TESAC)	1			
52	37001910550	ROPE, WIRE (KOKOKU)	1			052923

TM-ZF500 31093020030 BOOM/4 SECT.  
 PG1050307-04 CYLINDER, TELESCOPING



- △:PACKING SET KEY NO. 250 (KEY NO.4,9,11,12,14,15,19,34)
- ↓
- △:PACKING SET KEY NO. 251 (KEY NO.9,11,12,14,15,19,34,36,37,38)
- ↓
- △:PACKING SET KEY NO. 250 (KEY NO.4,9,11,12,14,15,19,34)

TM-ZF500 31093020030 BOOM/4 SECT.  
PG1050307-04 CYLINDER,TELESCOPING

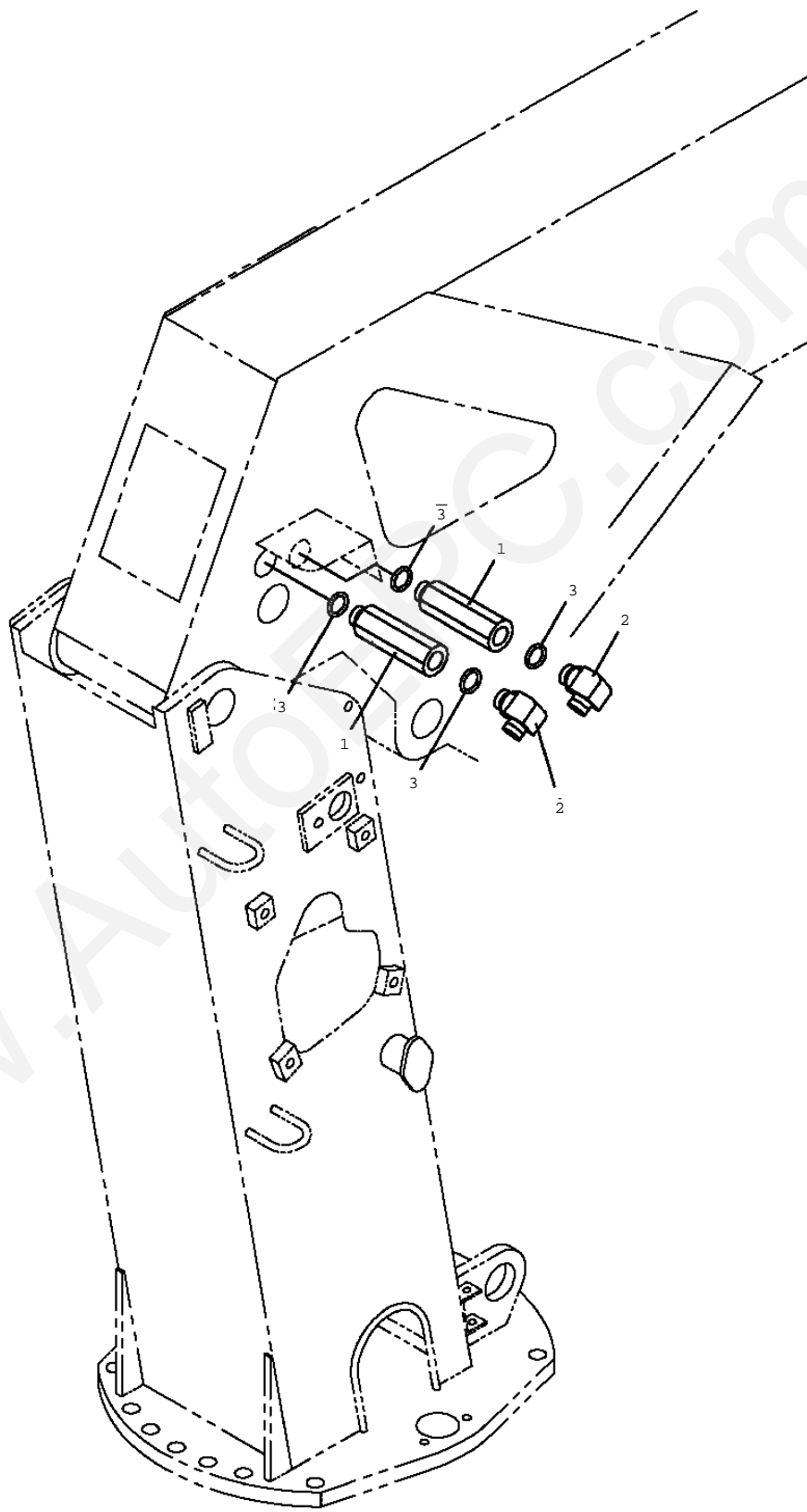


**TM-ZF500 31093020030 BOOM/4 SECT.**

Pos No.	Parts No	Parts Name	Qty	Unit	Technical Data	Serial N
1	91001101400	O-RING	4		1A P14	
2	90131712065	BOLT,HEXAGON SOCKET	4		M12X65	
3	90209202700	NUT	1		M27X2	
4	91350207000	BEARING,PLAIN (WITH PACKINGX2)	1			
	91350207000	BEARING,PLAIN (WITH PACKINGX2)	1			
	91350207000	BEARING,PLAIN (WITH PACKINGX2)	1			DA6965
5	91002903000	O-RING	1		1B G30	
6	36012740201	PISTON	1			
7	36014661000	CYLINDER (NO.2)	1			
8	36014662001	ROD	1			
9	91002906500	O-RING	2		1B G65	
10	36014663000	COVER,ROD	1			
11	91694005000	PACKING	2			
12	91410205001	RING,BACKUP	2			
13	36010465000	PLATE	2			
14	91660005001	SEAL,DUST	2			
15	91002803800	O-RING	1		1B P38	
	91002803800	O-RING	1		1B P38	
	91002803800	O-RING	1		1B P38	DA2952
	91002803800	O-RING	1		1B P38	DA6965
16	36012150700	VALVE,CHECK	1			
17	36624620000	VALVE,CHECK	1			
18	36010060340	STOPPER	2			
19	37000402120	BEARING,PLAIN (WITH PACKINGX2)	1			
20	36014664000	PISTON	1			
	36014664500	PISTON	1			DA2952
	36014664000	PISTON	1			DA6965
21	36010260500	PIPE	1			
22	36014665001	CYLINDER	1			
	36014665002	CYLINDER	1			DA2952
	36014665003	CYLINDER	1			DA6965
23	36014666000	ROD	1			
24	80530000225	BEARING,BALL (KOYO)	2			
25	37002008830	PLATE,SLIDE	1			
26	80601110150	RING,RITAINING	4		15	
27	80601110120	RING,RITAINING	2		S12	
28	37001104660	ROLLER	1			
29	37000134680	PIN	1			
30	37001103490	ROLLER ASSY	2			
31	80175304008	SCREW,MACHINE	2		M4X8	
32	37002001810	PLATE,SLIDE	1			
33	80171304012	SCREW,MACHINE	2		M4X12	
34	91301105000	BEARING,PLAIN	1			
35	36014663500	COVER,ROD	1			
36	91570207000	PACKING	1			DA2952
37	91461207000	RING,BACKUP	2			DA2952
38	91302207000	BEARING,PLAIN	1			DA2952
55	91002802201	O-RING	1		1B P22A	
56	91002801600	O-RING	1		1B P16	
57	91001100700	O-RING	1		1A P7	
58	91411000700	RING,BACKUP	2		P7	
62	37001201560	SPRING	1			
64	36622730200	ROD	1			
65	91001100600	O-RING	1		1A P6	
66	91411000600	RING,BACKUP	1		P6	
67	36622730400	CAP	1			
69	91001202500	O-RING	1		1A G25	
70	91002801500	O-RING	1		1B P15	
71	90131708025	BOLT,HEXAGON SOCKET	4		M8X25	
72	80316090020	PLUG	1		KKT PT1/8	
73	36622730500	SPACER	1		L=5	
100	36014660001	CYLINDER,TELESCOPING	1			
200	36014669511	CYLINDER,TELESCOPING (NO.1)	1			
	36014669512	CYLINDER,TELESCOPING (NO.1)	1			DA2952
	36014669513	CYLINDER,TELESCOPING (NO.1)	1			DA6965
250	36014669900	PACKING SET	1		50X70	
	36014669900	PACKING SET	1		50X70	DA6965
251	36014659901	PACKING SET	1		50X70	DA2952
300	36014669521	CYLINDER,TELESCOPING (NO.2)	1			
350	36014669910	PACKING SET	1			



TM-ZF500 31093020030 BOOM/4 SECT.  
PG1200105-00 PIPING,TELESCOPING

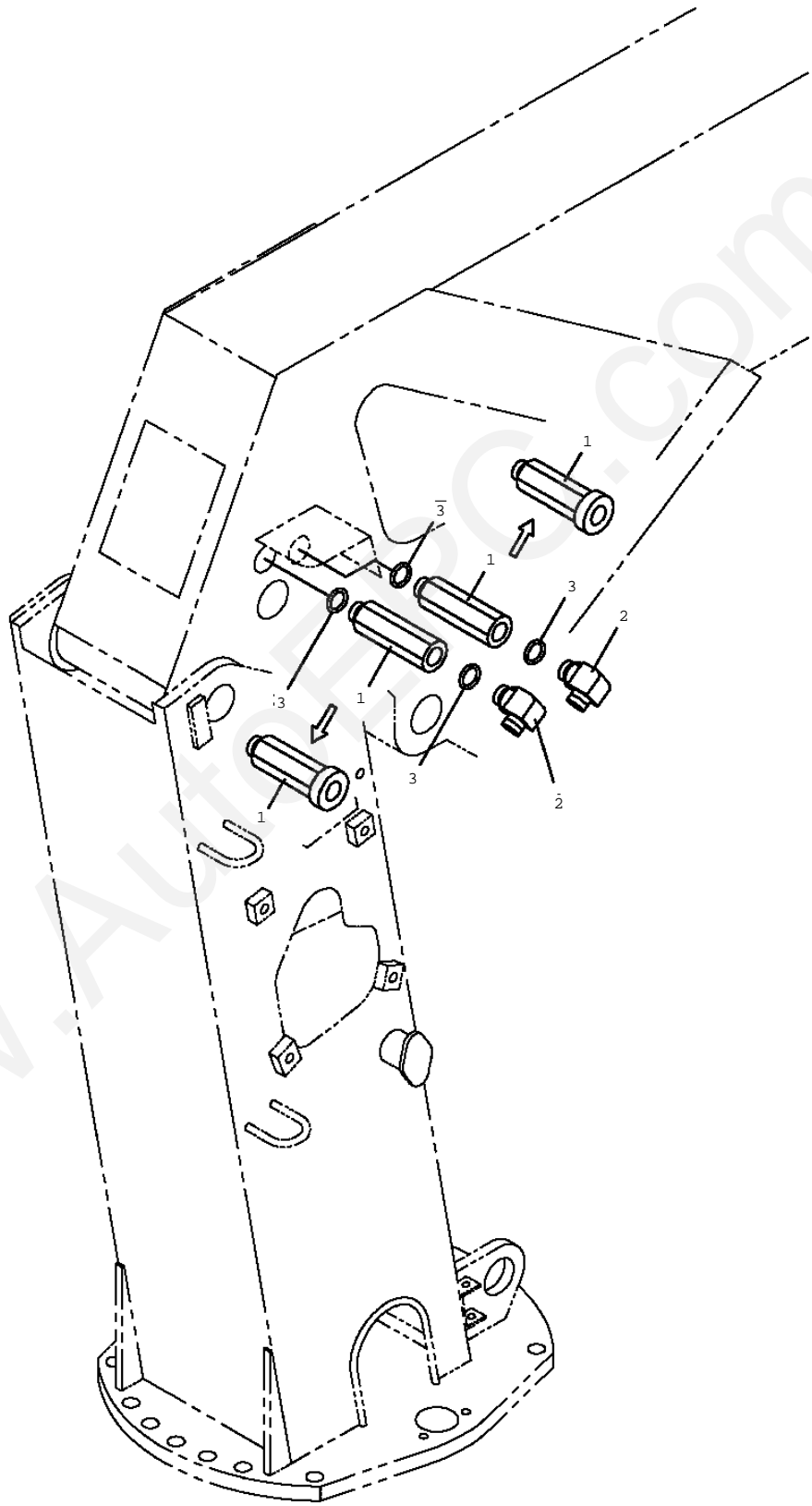


**TM-ZF500 31093020030 BOOM/4 SECT.**

Pos No.	Parts No	Parts Name	Qty	Unit	Technical Data	Serial No (Start)	Serial No
1	37000924680	JOINT	2				
2	80481102030	JOINT	2		L G1/4-G3/8		
3	91002801100	O-RING	4		1B P11		

www.AutoEPC.com

TM-ZF500 31093020030 BOOM/4 SECT.  
PG1200132-00 PIPING,TELESCOPING

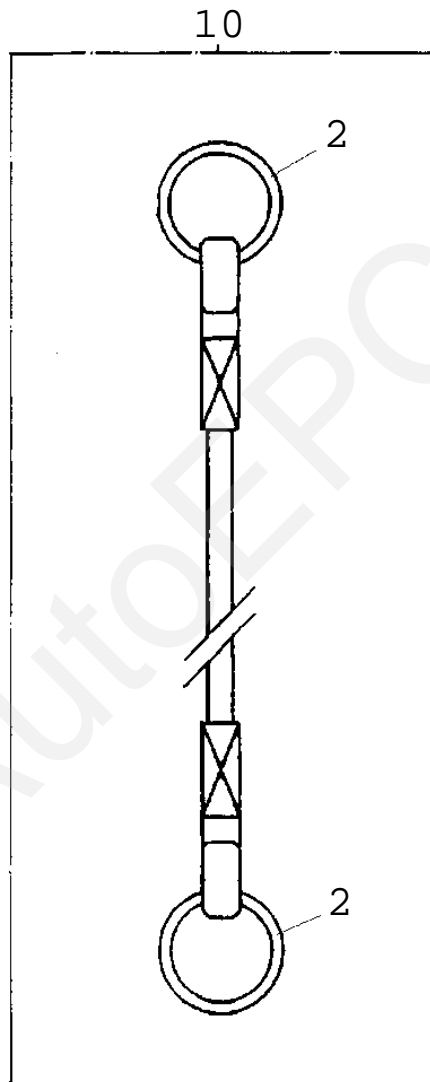


**TM-ZF500 31093020030 BOOM/4 SECT.**

Pos No.	Parts No	Parts Name	Qty	Unit	Technical Data	Serial No (Start)	Serial No
1	37000926400	JOINT	2				054979
	37000926410	JOINT	2				
2	80481103030	JOINT	2		L,G3/8-G3/8	054980	
3	91002801400	O-RING	4		1B P14		

www.AutoEPC.com

TM-ZF500 31093020030 BOOM/4 SECT.  
PH1060213-01 DETECTOR, OVER WINDING (ROPE)

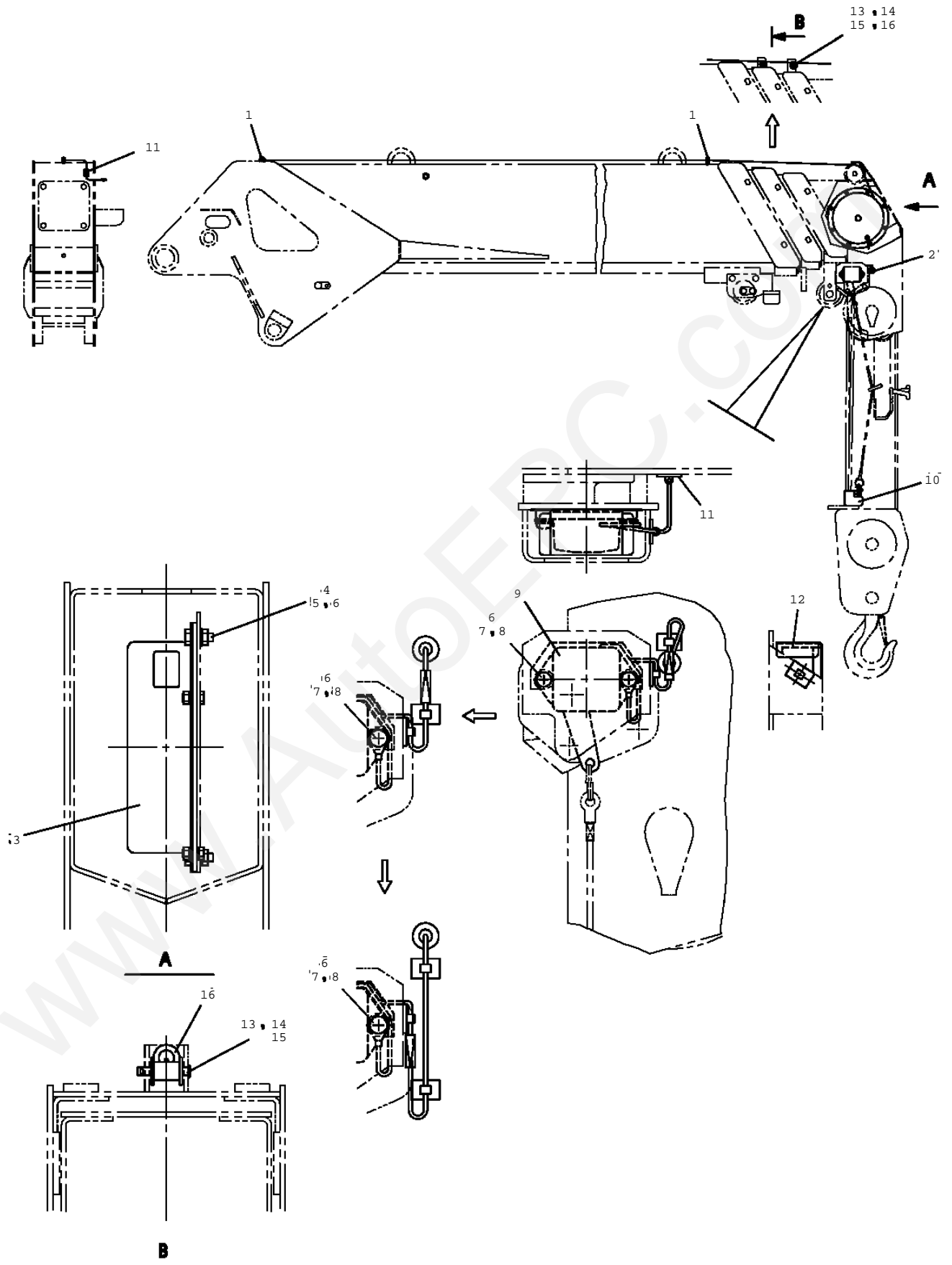


**TM-ZF500 31093020030 BOOM/4 SECT.**

Pos No.	Parts No	Parts Name	Qty	Unit	Technical Data	Serial No
2	31371187520	RING	2			
10	37001908920	DETECTOR, OVER WINDING (ROPE)	1			

www.AutoEPC.com

TM-ZF500 31093020030 BOOM/4 SECT.  
PH1060231-01 DETECTOR, OVER WINDING



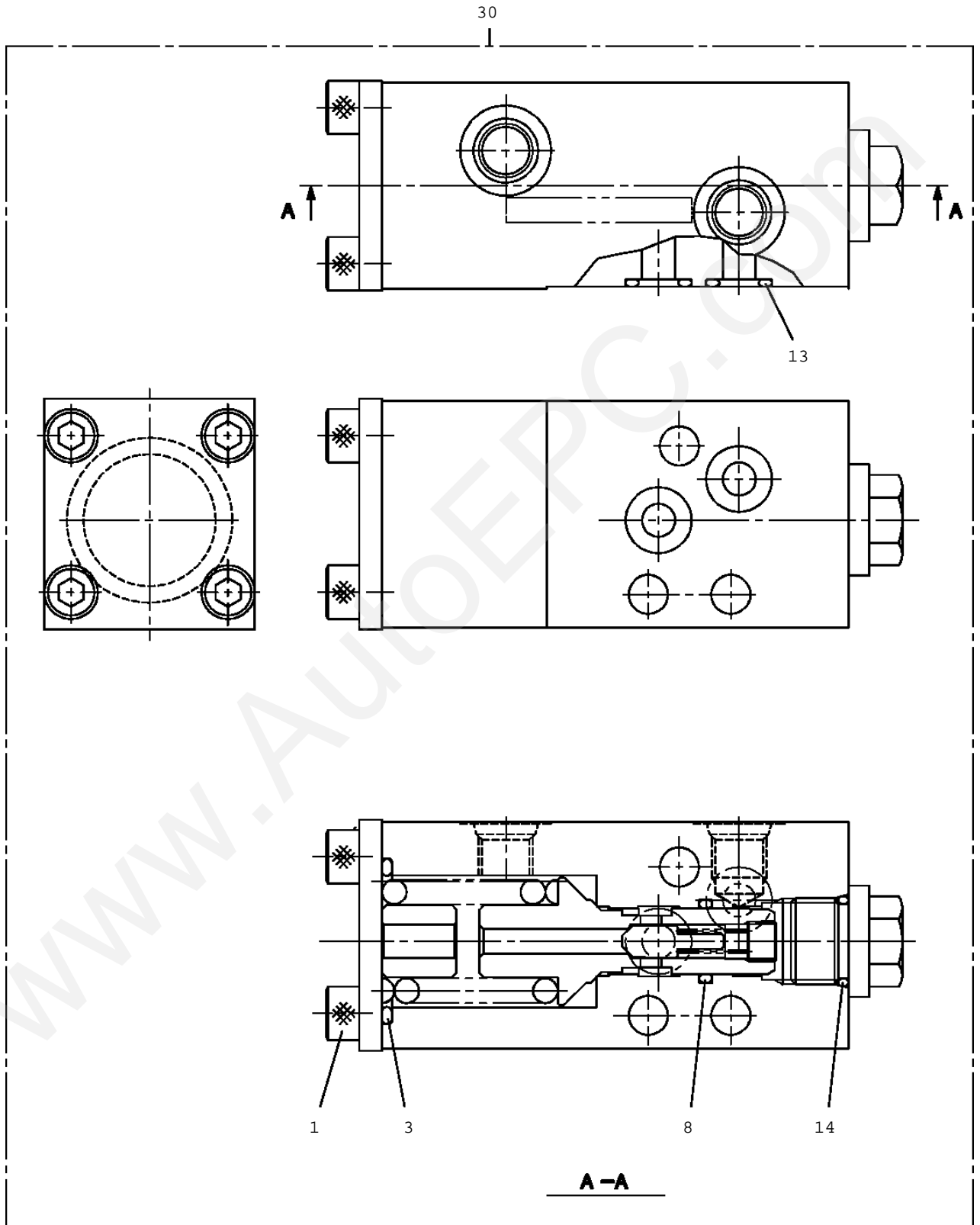
**TM-ZF500 31093020030 BOOM/4 SECT.**

Pos No.	Parts No	Parts Name	Qty	Unit	Technical Data	Serial No (Start)	Serial No
1	82400000074	GROMMET	2				
2	14148375000	GROMMET	1				
3	36160250000	REEL, CORD	1				DF637
	36161700000	REEL ASSY, CORD	1			DF6377	
4	90101206016	BOLT	2		M6X16		
5	90201200600	NUT	2		M6		
6	90302040601	WASHER, SPRING	4		6		
7	80182306014	SCREW, MACHINE	2		M6X14		
8	90303070601	WASHER, PLAIN	2		6		
9	31371282000	SWITCH ASSY	1				
10	31371332000	WEIGHT ASSY	1				
11	82401600504	CLAMP	3				05229
	82401600504	CLAMP	4			052300	
12	31371283000	SUPPORT	1				
13	31371210110	ROLLER	2				
14	37000122350	PIN	2				
15	80136320016	PIN, SPLIT	2		2X16		
16	82400000216	GROMMET	2		C30NG79-H		

www.AutoEPC.com



TM-ZF500 31093020030 BOOM/4 SECT.  
PI1250080-00 VALVE,COUNTERBALANCE



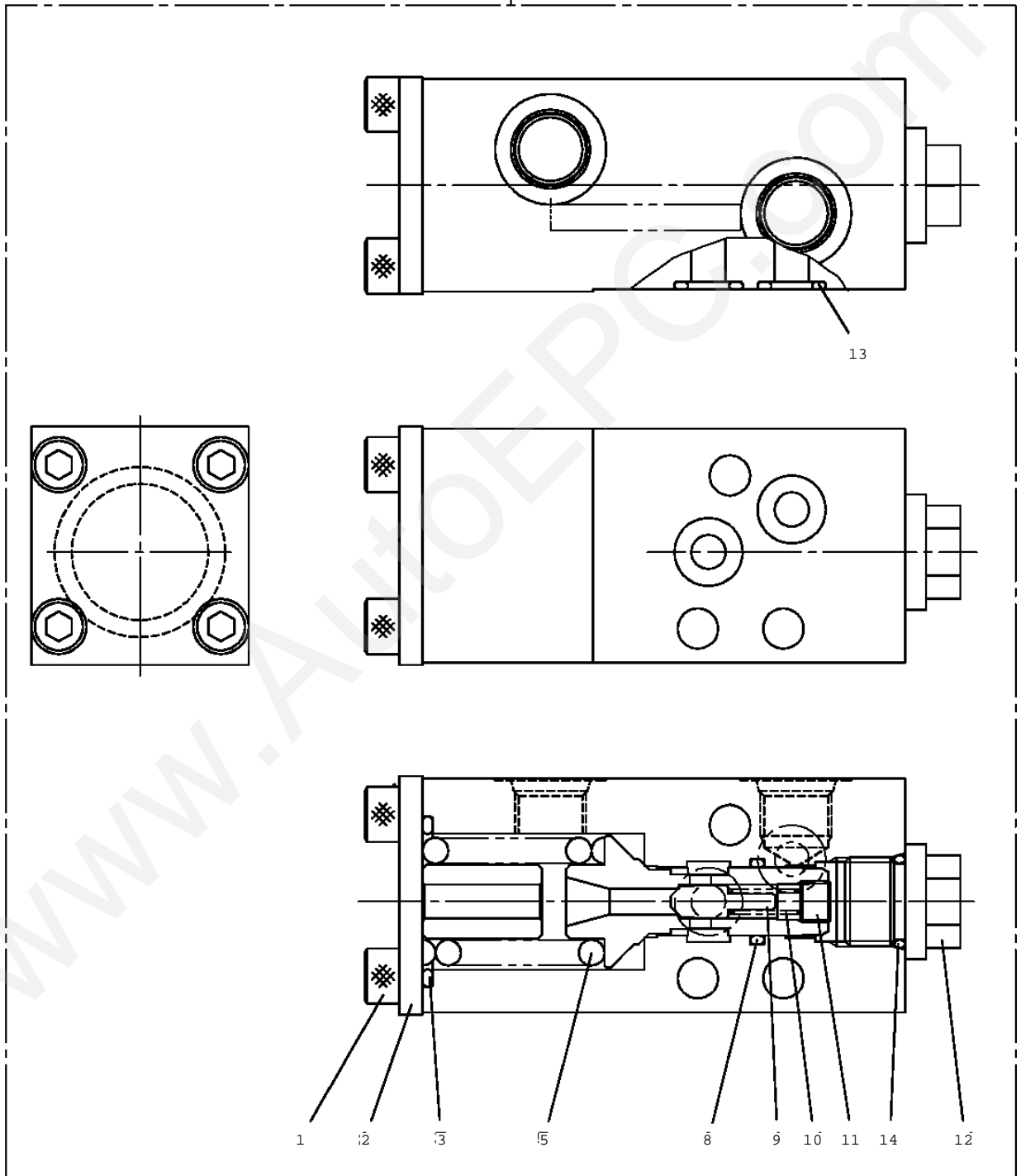
**TM-ZF500 31093020030 BOOM/4 SECT.**

Pos No.	Parts No	Parts Name	Qty	Unit	Technical Data	Serial No (Start)
1	90172108014	BOLT,HEXAGON SOCKET	4		M8X14	
3	91001203500	O-RING	1		1A G35	
8	91002801600	O-RING	1		1B P16	
13	91001101200	O-RING	2		1A P12	
14	91002801800	O-RING	1		1B P18	
30	36604280000	VALVE ,COUNTERBALANCE	1			

www.AutoEPC.com

TM-ZF500 31093020030 BOOM/4 SECT.  
PI1250109-00 VALVE,COUNTERBALANCE

100

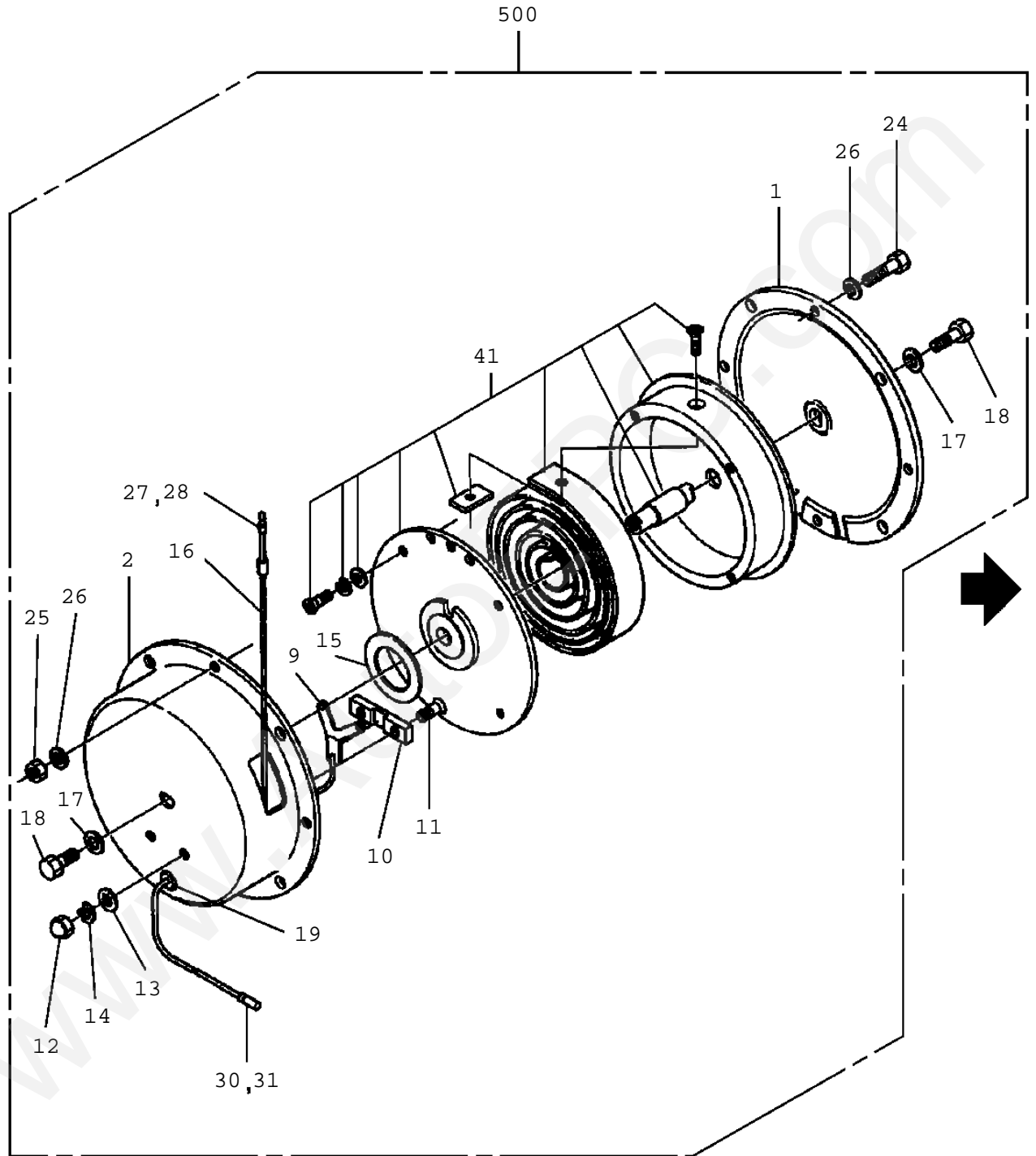


**TM-ZF500 31093020030 BOOM/4 SECT.**

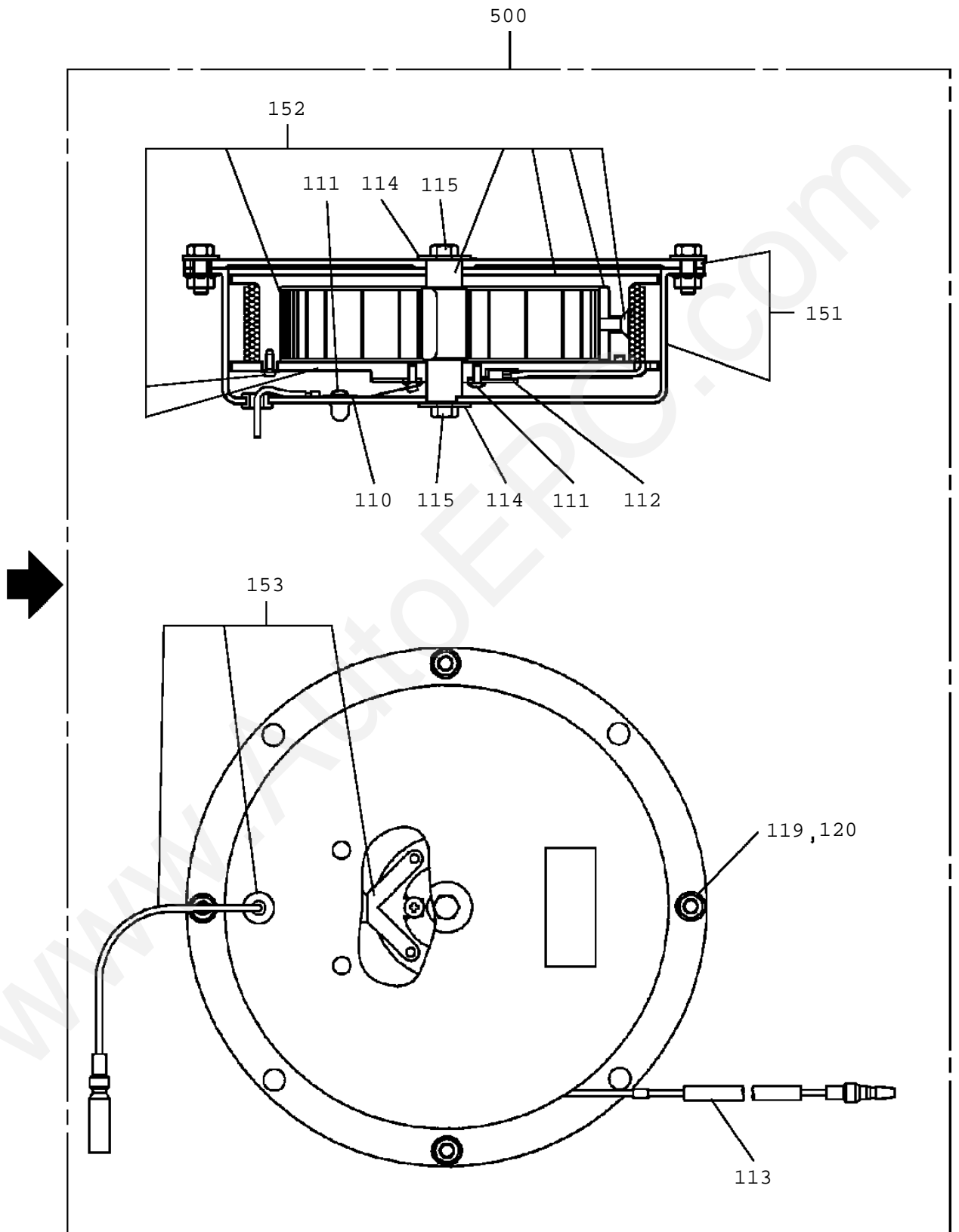
Pos No.	Parts No	Parts Name	Qty	Unit	Technical Data	Serial No (Start)
1	90172108014	BOLT,HEXAGON SOCKET	4		M8X14	
2	36602110101	COVER	1			
3	91001203500	O-RING	1		1A G35	
5	36600070020	SPRING	1			
8	91002801600	O-RING	1		1B P16	
10	36600070070	SPRING	1			
11	80316090020	PLUG	1		KKT PT1/8	
12	36602100300	PLUG	1			
13	91001101200	O-RING	2		1A P12	
14	91002801800	O-RING	1		1B P18	
100	36604940000	VALVE ,COUNTERBALANCE	1			

www.AutoEPC.com

TM-ZF500 31093020030 BOOM/4 SECT.  
PN1350004-01 REEL, CORD



TM-ZF500 31093020030 BOOM/4 SECT.  
PN1350004-01 REEL, CORD

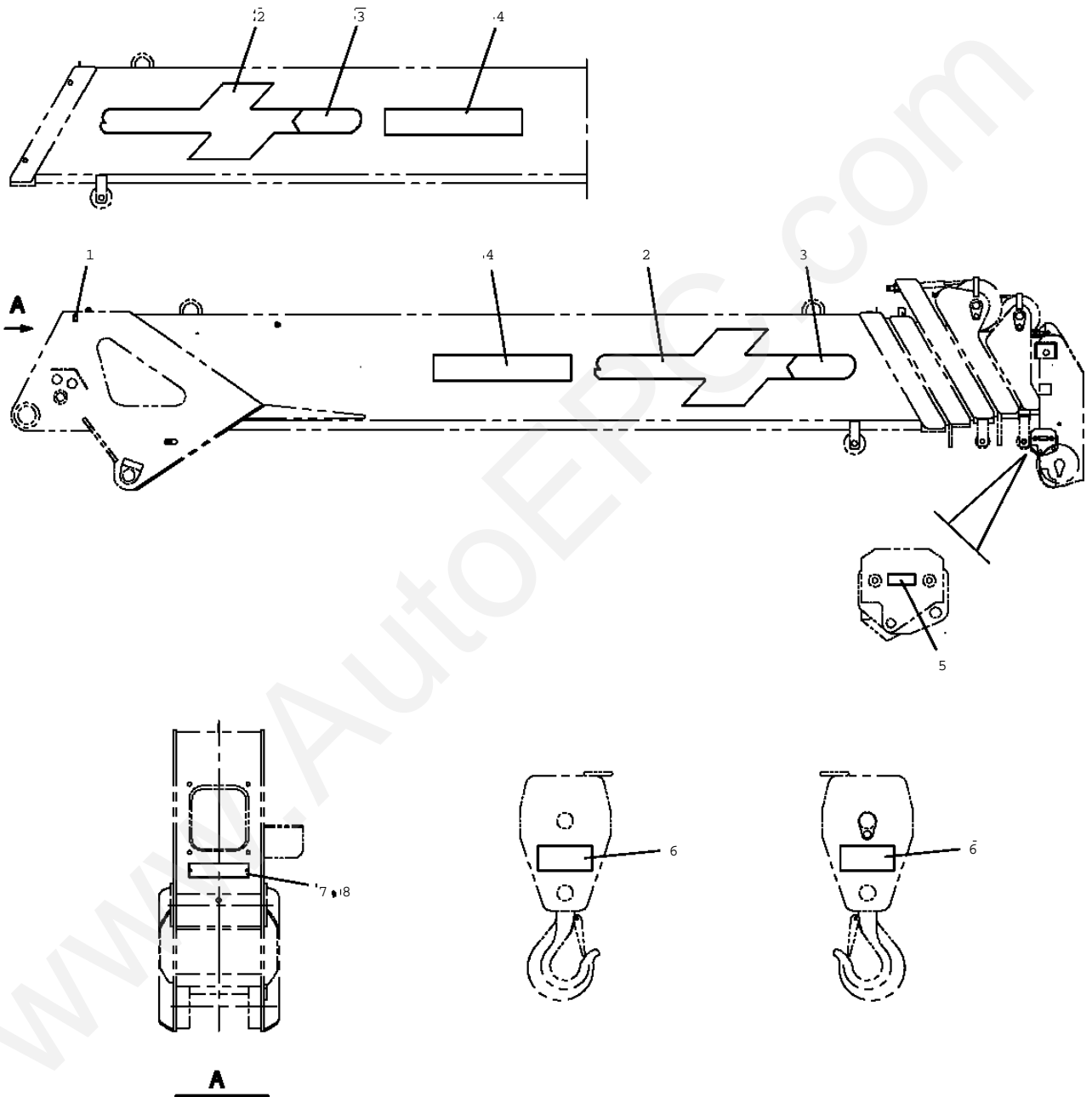


**TM-ZF500 31093020030 BOOM/4 SECT.**

Pos No.	Parts No	Parts Name	Qty	Unit	Technical Data	Serial No (Start)	Ser
110	31370257510	PLATE	1				
111	31370257520	SCREW,MACHINE	4		M3X6		
112	31370257530	RING,SLIP	1				
113	36160255020	CORD ASSY (MAIN)	1		L=11.6M		
114	31370257550	WASHER	2				
115	90102205008	BOLT	2		M5X8		
119	31370257560	BOLT (WITH W)	4		M5X12		
120	31370257570	NUT	4				
151	31370257580	CASE ASSY	1				
152	36160255030	SPRING ASSY	1				
153	36160255040	CORD ASSY (SUB)	1				
500	36160250000	REEL,CORD	1				

www.AutoEPC.com

TM-ZF500 31093020030 BOOM/4 SECT.  
PO1011735-00 PLATE, INDICATION (JAPANESE/ZF500)



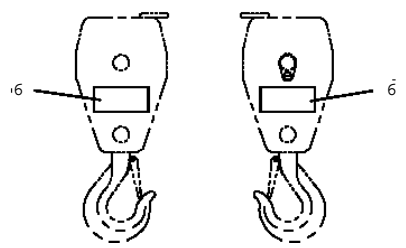
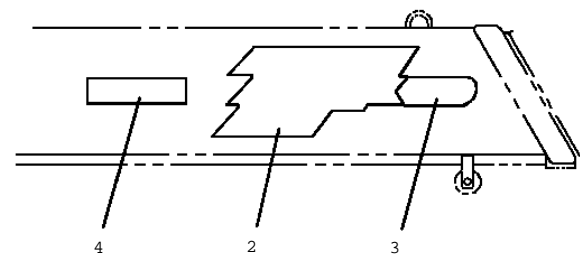
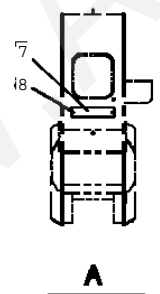
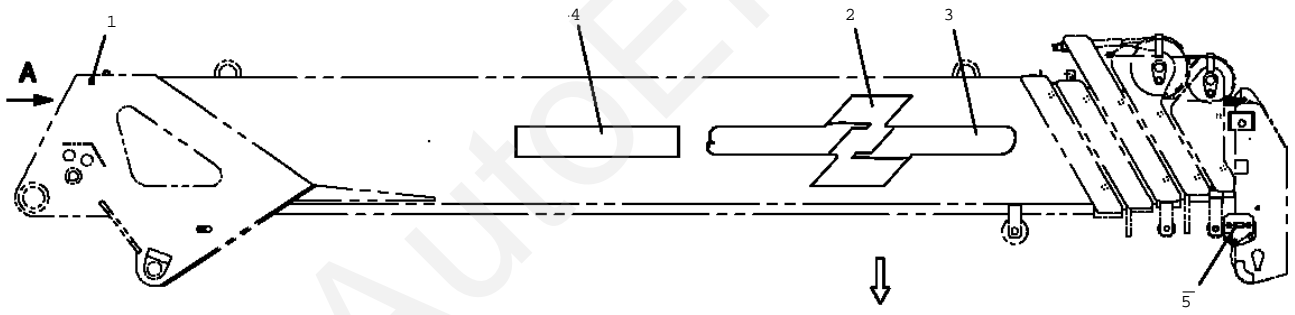
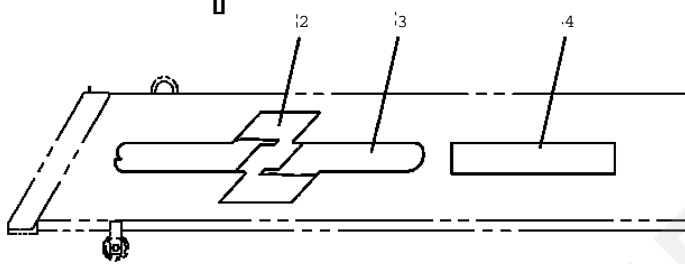
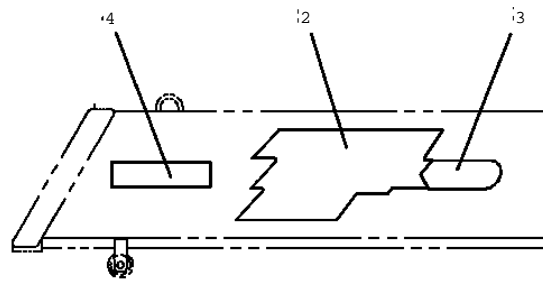


**TM-ZF500 31093020030 BOOM/4 SECT.**

Pos No.	Parts No	Parts Name	Qty	Unit	Technical Data	Serial No (Star
1	37002206490	PLATE,NAME (GREASE)	2			
2	37002215610	PLATE,NAME (SUPERZFX)	2			
3	37002215620	PLATE,NAME (500)	2			
4	37002215630	PLATE,NAME (TADANO)	2			
5	37002212770	PLATE,NAME (DC24V,0.1A)	1			
6	37002213630	PLATE,NAME (2.93TON)	2			
8	90451700100	SCREW,TAPPING	2		M4X6.4	

www.AutoEPC.com

TM-ZF500 31093020030 BOOM/4 SECT.  
PO1011775-01 PLATE, INDICATION (ENGLISH/ZF500)

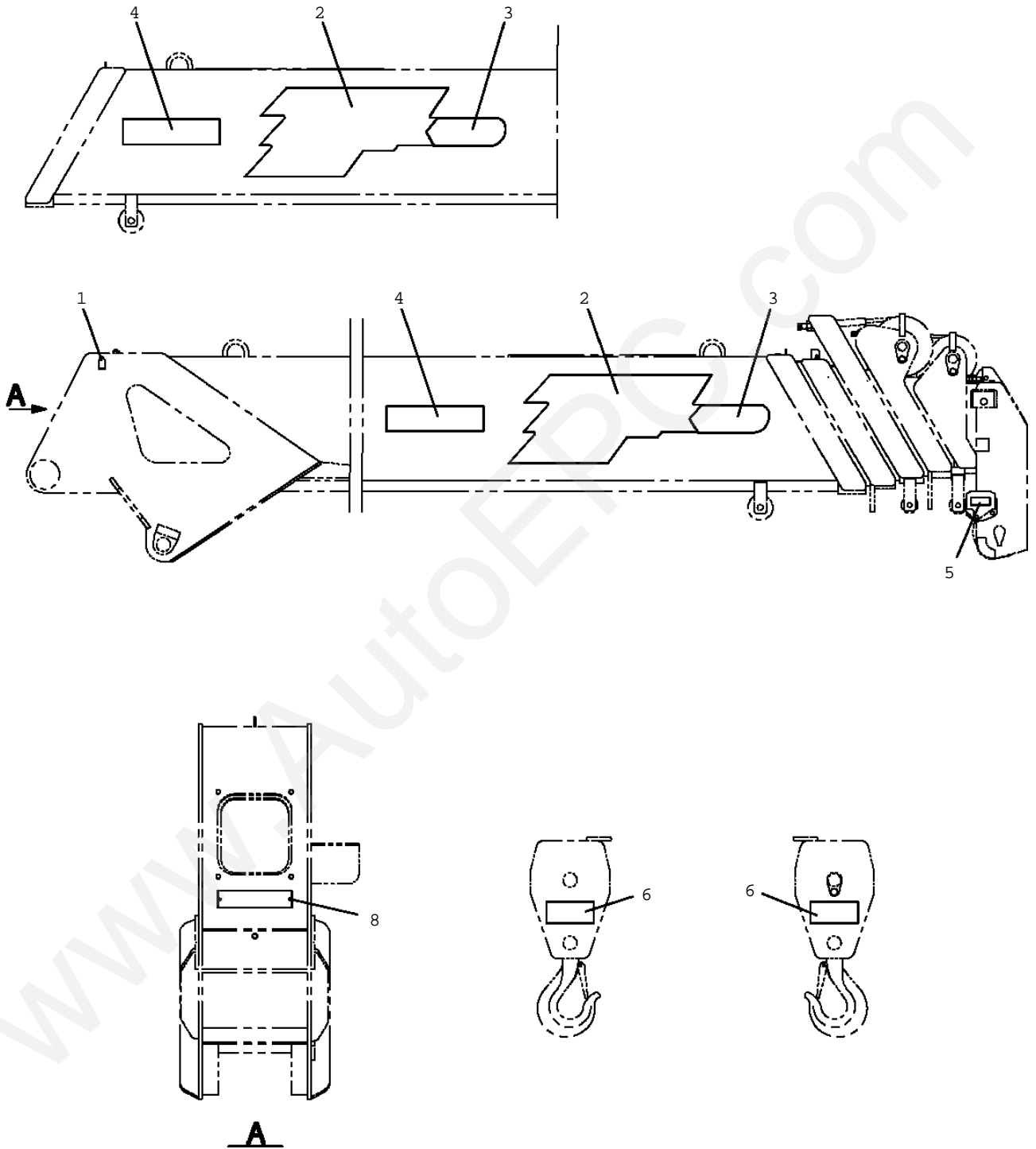


**TM-ZF500 31093020030 BOOM/4 SECT.**

Pos No.	Parts No	Parts Name	Qty	Unit	Technical Data	Serial No (Star
1	14137207000	PLATE,NAME (GREASE)	2			
2	37002215610	PLATE,NAME (SUPERZFX)	2			
3	37002215620	PLATE,NAME (500)	2			
4	37002215630	PLATE,NAME (TADANO)	2			
5	37002212770	PLATE,NAME (DC24V,0.1A)	1			
6	37002216050	PLATE,NAME (3000KG)	2			
8	90451700100	SCREW,TAPPING	2		M4X6.4	

www.AutoEPC.com

TM-ZF500 31093020030 BOOM/4 SECT.  
PO1012267-00 PLATE ASSY,NAME (FRENCH/ZF500)

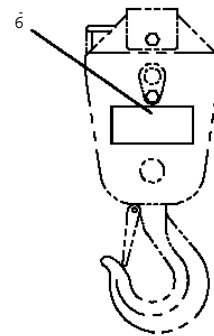
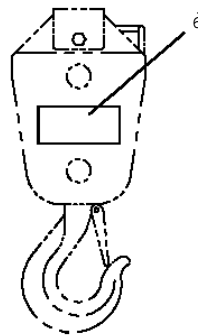
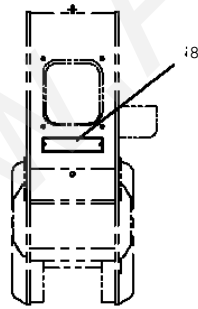
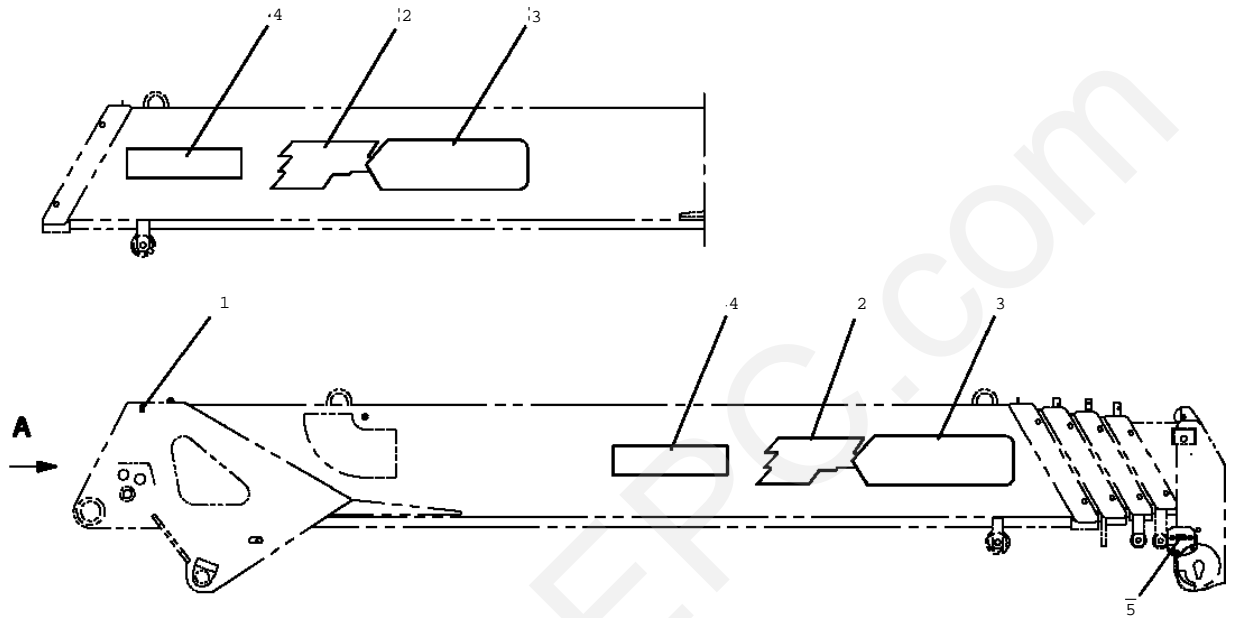


**TM-ZF500 31093020030 BOOM/4 SECT.**

Pos No.	Parts No	Parts Name	Qty	Unit	Technical Data	Serial No (Start)
1	37002201770	PLATE,NAME (GREASE)	2			
2	37002216540	PLATE,NAME (ZF)	2			
3	37002215620	PLATE,NAME (500)	2			
4	37002209870	PLATE,NAME (TADANO)	2			
5	32390890500	PLATE,NAME	1			
6	37002216050	PLATE,NAME (3000KG)	2			
8	90451700100	SCREW,TAPPING	2		M4X6.4	

www.AutoEPC.com

TM-ZF500 31093020030 BOOM/4 SECT.  
PO1012620-01 PLATE ASSY,NAME (BOOM,ENGLISH)



**A**

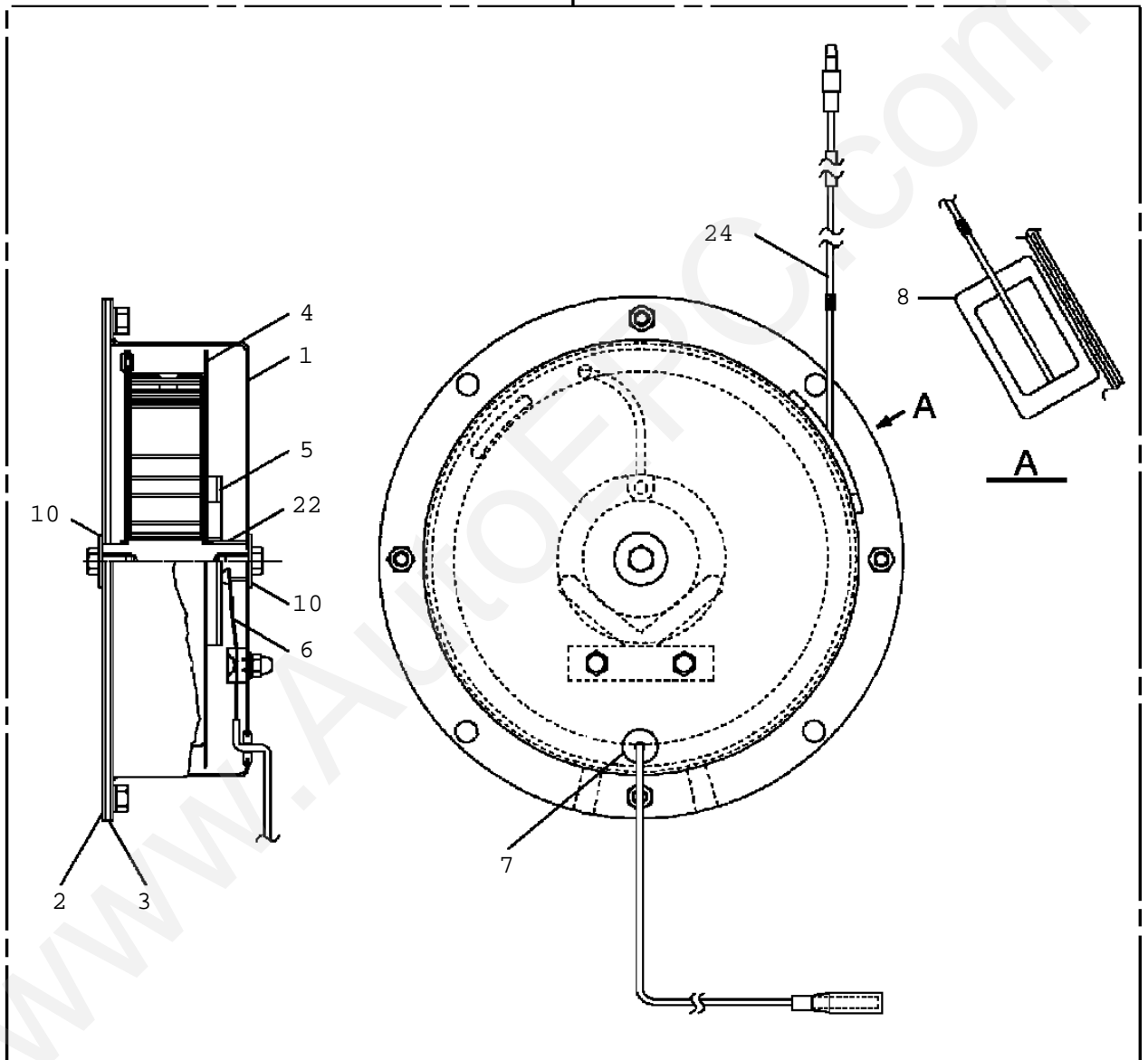
**TM-ZF500 31093020030 BOOM/4 SECT.**

Pos No.	Parts No	Parts Name	Qty	Unit	Technical Data	Serial No (Star
1	14137207000	PLATE,NAME (GREASE)	2			
2	37002216520	PLATE,NAME (ZF)	2			
3	37002219190	PLATE,NAME (560S)	2			
4	37002209550	PLATE,NAME (TADANO)	2			
5	37002212770	PLATE,NAME (DC24V,0.1A)	1			
6	37002218330	PLATE,NAME (2930KG)	2			
8	90451700100	SCREW,TAPPING	2		M4X6.4	

www.AutoEPC.com

TM-ZF500 31093020030 BOOM/4 SECT.  
PR5050007-00 REEL ASSY, CORD

100





**TM-ZF500 31093020030 BOOM/4 SECT.**

Pos No.	Parts No	Parts Name	Qty	Unit	Technical Data	Serial No (Start)	Serial No (End)
1	36161705010	CASE	1				
2	36132015010	PLATE (BASE)	1				
3	36161705020	PACKING	1				
4	36161705030	SPRING ASSY	1				
5	32360005050	RING,SLIP	1				
6	32360005060	CONTACTOR ASSY	1				
7	31370005070	GROMMET	1				
8	31370005080	GUIDE (CORD)	1				
10	36160935030	WASHER	2				
22	36160325010	COLLAR	1				
24	36131745090	CORD	17	M			
100	36161700000	REEL ASSY, CORD	1				

www.AutoEPC.com